

# BeSpice Wave Product Presentation

July, 2016  
G rard Eichenm ller

A large, decorative graphic at the bottom of the slide consisting of multiple overlapping, wavy lines in shades of light blue, beige, and yellow, creating a sense of movement and depth.

# Agenda

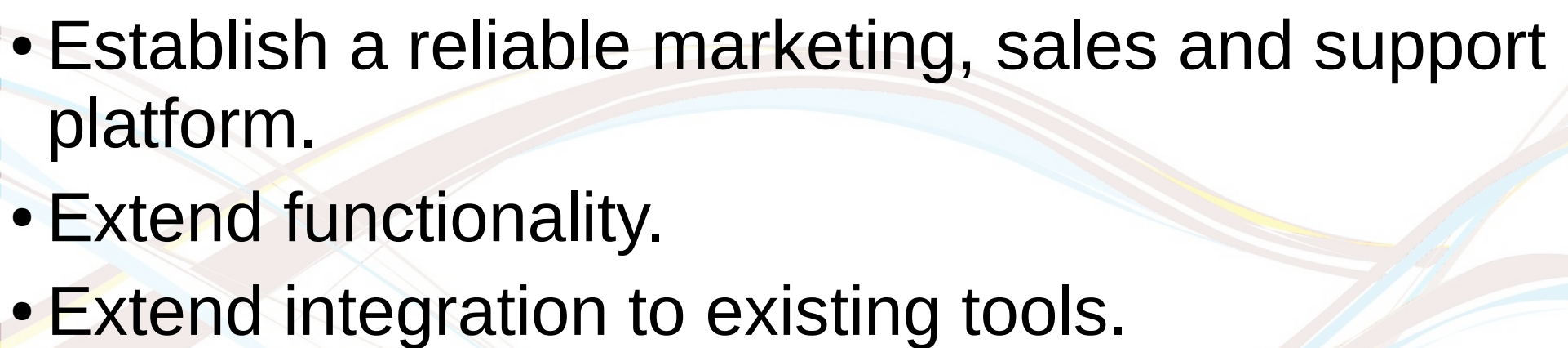


- Company Presentation
- Waveform Viewer Technology
- BeSpice Wave Demo

# Analog Flavor Presentation

- PhD at IMAG in 2000
  - Software development for Mentor Graphics
  - Application Engineer for CWS
  - Analog Flavor since 2011
  - EDA tools for SPICE simulation
  - Several industrial partners
  - Agreement to CIR
- 
- A decorative graphic at the bottom of the slide consisting of several overlapping, wavy lines in shades of blue, brown, and yellow, creating a sense of motion and depth.

# Current Objectives

- Our business model is based on software licenses and services.
  - Establish a reliable marketing, sales and support platform.
  - Extend functionality.
  - Extend integration to existing tools.
- 

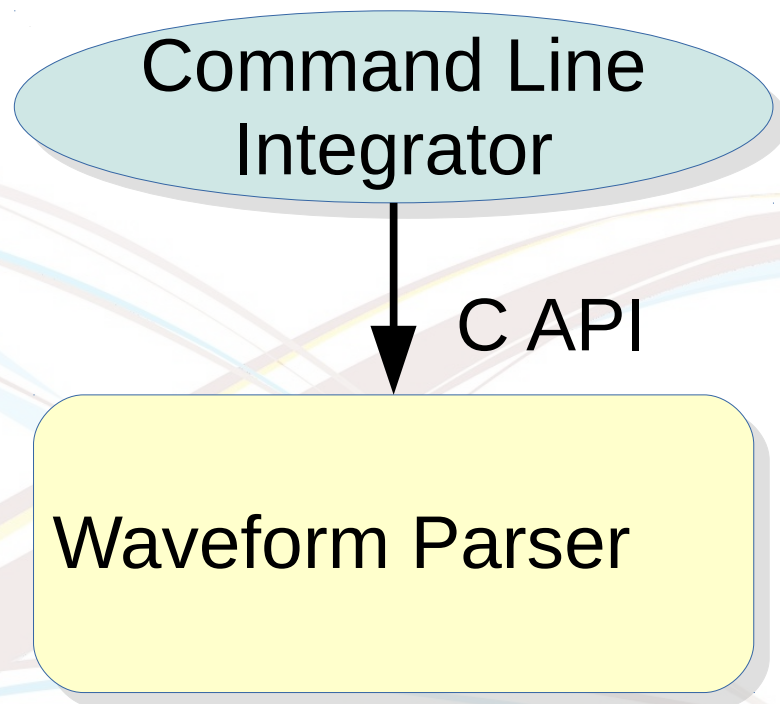
# Waveform Viewer Technology

Analog  
Flavor

- Visualization of waveforms generated by simulators or lab hardware
- Robust, fast, lossless
- Interaction with Excel and OpenOffice
- Intuitive handling
- Automatic reload of updated files
- Post processing (FFT, eye diagram, calculator)
- Numerous possibilities of software integration

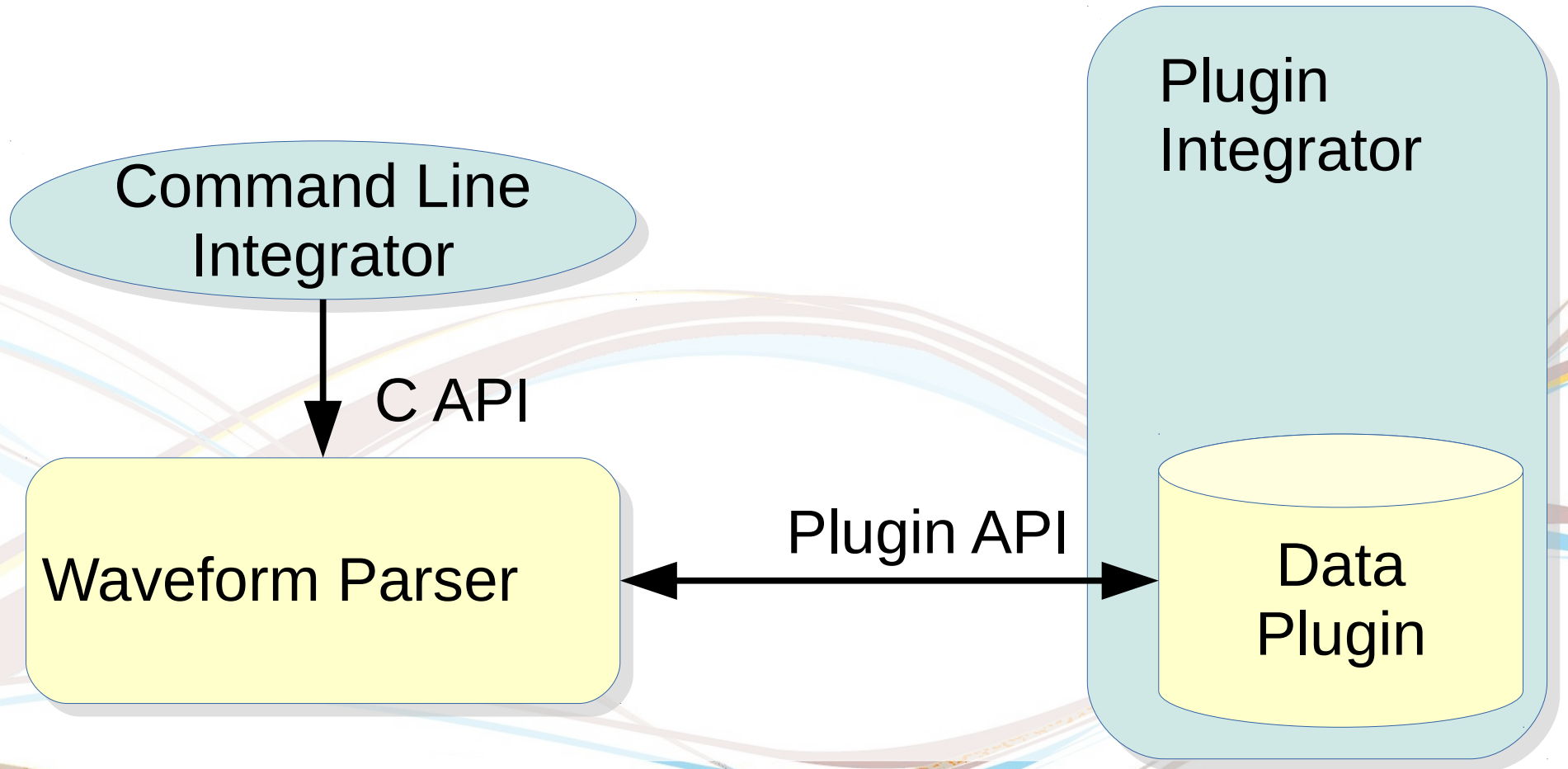
# BeSpice Wave Integration

Analog  
Flavor



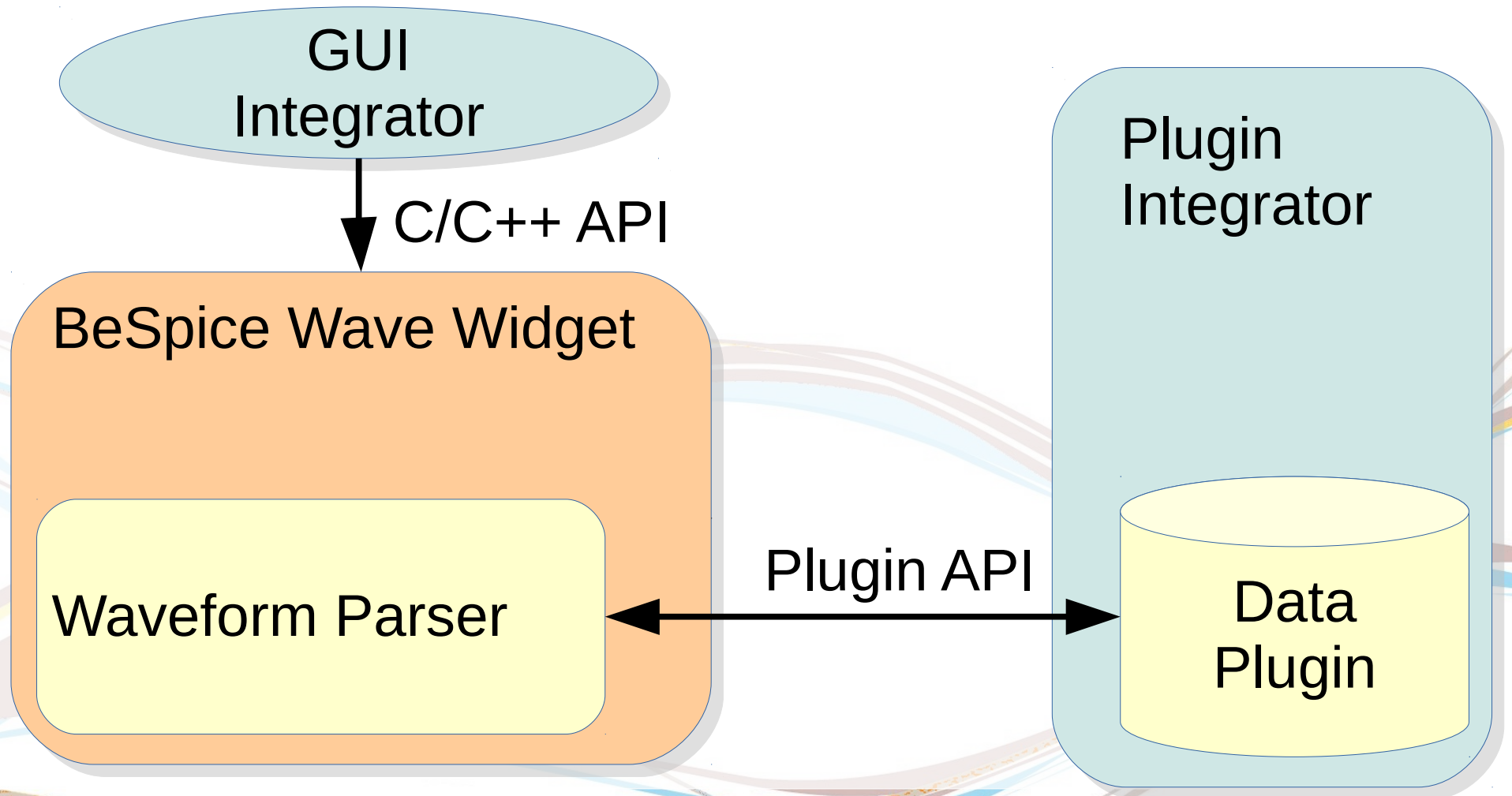
# BeSpice Wave Integration

Analog  
Flavor



# BeSpice Wave Integration

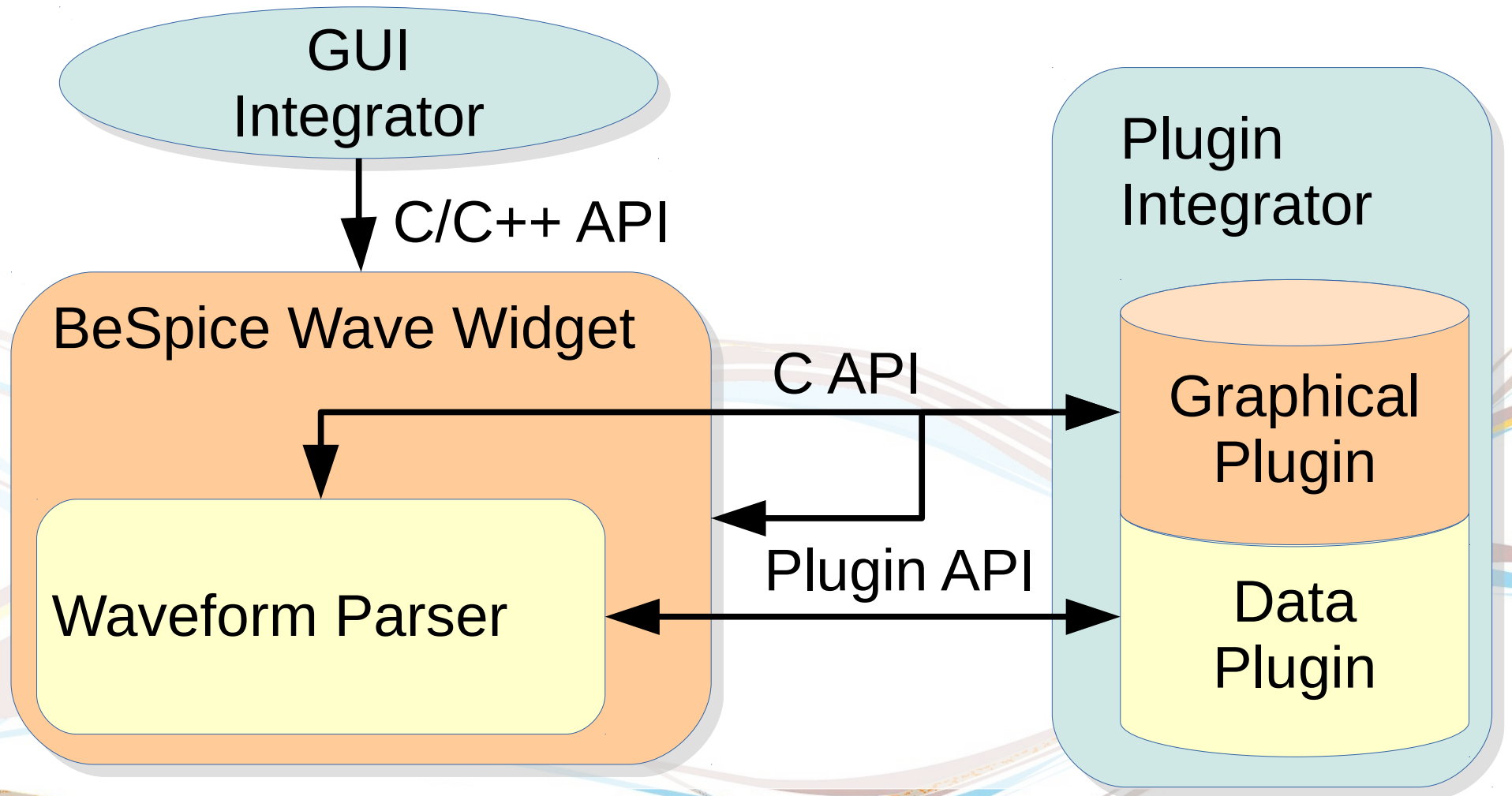
Analog  
Flavor





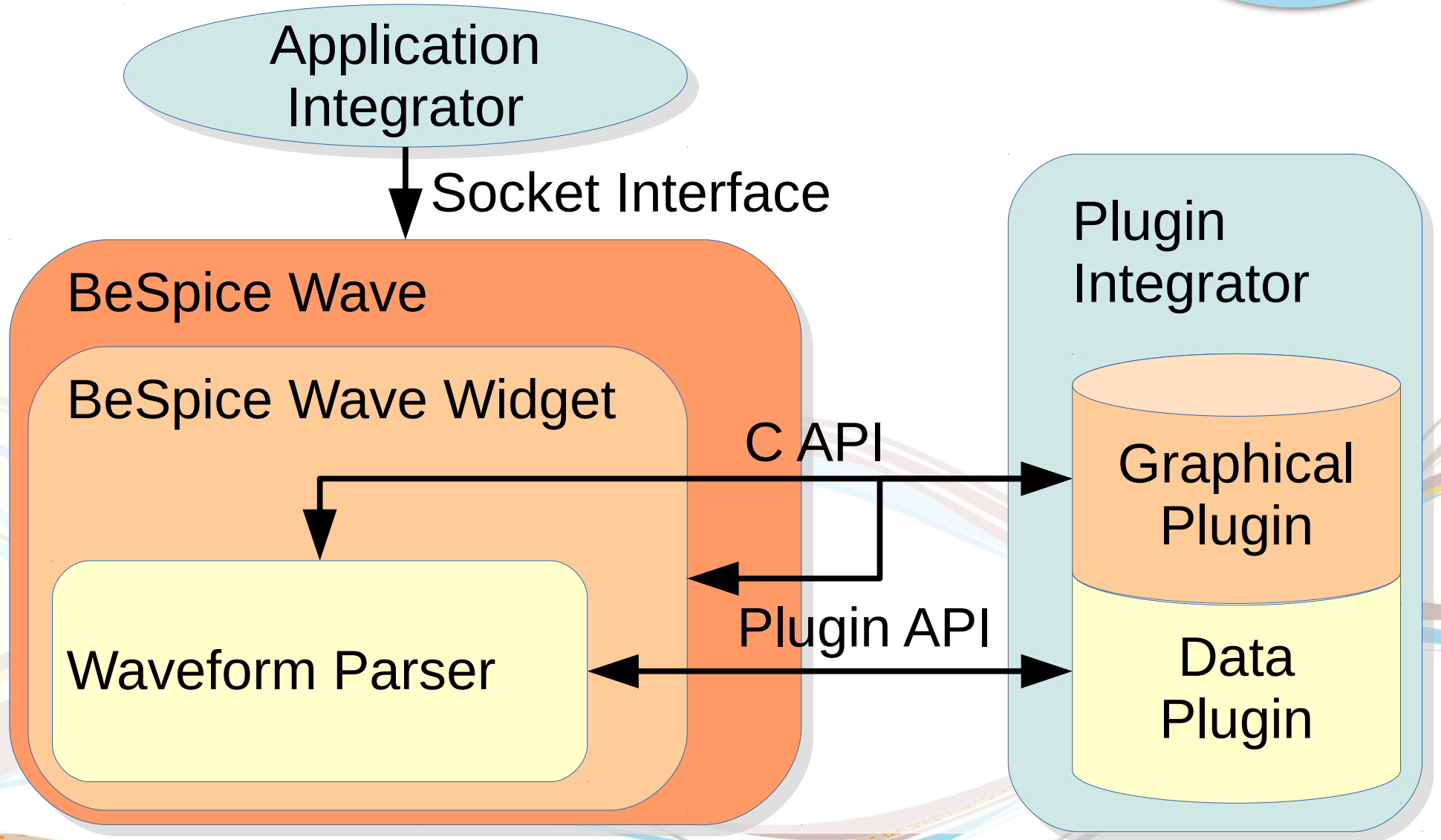
# BeSpice Wave Integration

Analog  
Flavor



# BeSpice Wave Integration

Analog  
Flavor



# Command Line Integration

- **BeSpice Wave Parser** to work with waveforms loaded from files in various formats
- **Supported formats**
  - .psf, psfxl, .wsf (Cadence Spectre)
  - .tr0, .ac0 for post=1 or post=2 (Synopsis Hspice)
  - .cou (Mentor Graphics Eldo)
  - .vcd
  - .csv and tabulated data
  - Touchstone s-parameters
  - .spi3 (Spice3, NgSpice)
  - .tdms (National Instruments LabView)
  - .tmf, .amf, .mmf, .nmf, .dmf (Dolphin Integration Smash)
  - .csdf, .dat (Cadence Pspice)
  - Spice pwl sources
  - customer defined plug-ins

# GUI Integration

- **GUI Plug-in API** to extend BeSpice Wave
  - Targets BeSpice Wave users
- Integrate **BeSpice Wave Widget** to your graphical Interface
  - Allows users of the integrating tool to visualize and post process curves
- Both approaches can be implemented with a minimum of extra effort

# GUI Integration

- Use the **BeSpice Wave Parser API** to read curves loaded by the user.
- Use the **Data Plug-in API** to allow BeSpice Wave to read proprietary data formats.
- Communicate over simple text-based commands.
- Use drag-and-drop or copy-and-paste to transfer information and data.

# BeSpice Wave Demo



[www.analogflavor.com](http://www.analogflavor.com)

Thank you !

